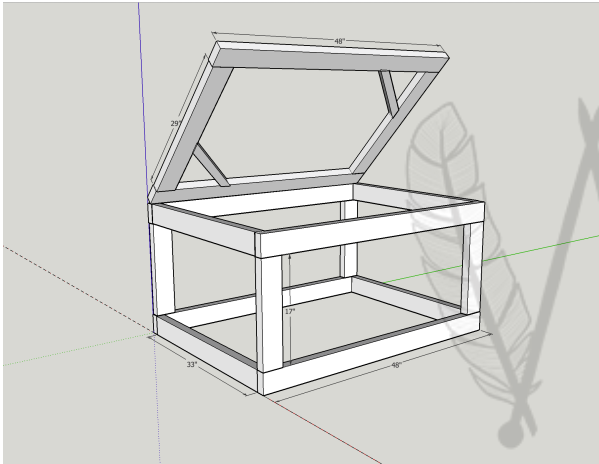


# WING & WOOL FARM

## Quail Tractor Plans



### Materials

- (4) 2x4 cut to 17"
- (6) 2x4 cut to 48"
- (4) 2x4 cut to 33"
- (2) 2x4 cut to 29"
- (2) 2x2 cut with 45 degree ends (optional)
- Scrap 2x4 for lid handle
- (1) 1/2" x 36" hardware cloth cut to 44"
- (2) 1/4" x 24" hardware cloth cut to 44"
- (2) 1/4" x 24" hardware cloth cut to 35"
- 3' x 4' metal sheet (or tarp)
- 3' x 23" metal sheet ( or tarp)
- Metal roofing screws
- (2) 2.5" hinges
- (2) eye bolts
- Rope
- (2) latches
- 3" deck screws
- Poultry netting staples
- 12" chicken wireand galvanized strap (optional)

### Instructions

1. Cut all lumber to length. If not using pressure treated lumber, paint all pieces.
2. Assemble each long side panel using (2) 48" and (2) 17" pieces, as shown in the diagram using screws.
3. Attach the two long side panels using the (4) 33" long pieces, as shown.
4. Assemble the lid using (2) 48" pieces and (2) 29" pieces. Use optional 45 degree bracing to square the frame.
5. Attach the lid to the box with two hinges. Add optional handle.
6. Attach your choice of latches (eg. hook and eye, window sash, etc)
7. Attach two eye bolts near the base of one short side to attach rope to for moving.
8. Attach 1/2" hardware cloth to lid and 1/4" sheets to side panels using poultry staples.
9. Attach metal sheeting to lid and lone side panel. (Optional: substitute tarp)
10. Attach optional chicken wire to bottom of box using galvanized pipe strap and screws.